

## Liquitron™ DC4000 Series Conductivity Controller

### Applications

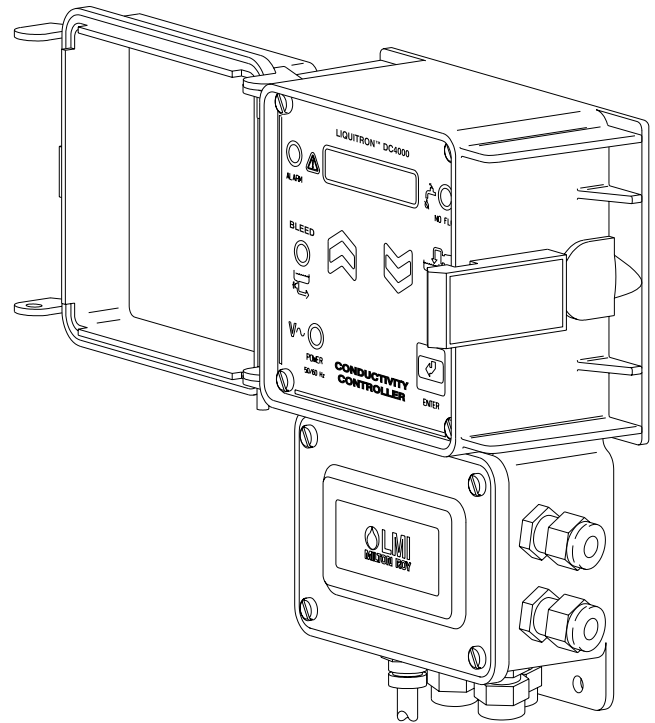
- *Cooling Tower*
- *Boiler*
- *Closed Loop Systems*

*The DC4000 Series Conductivity Controller is a microprocessor based control system that will operate in a variety of water treatment applications.*

*The DC4000 provides a set point and relay for conductivity control, and a variety of timer functions to control chemical addition.*

*Programming this controller is simple and is accomplished using only three keys.*

*The backlit LCD display and LEDs provide visual indication of operating conditions and equipment status.*



UL Approved!

### Features

- 0–10,000  $\mu$ S or 0–6,600 PPM/TDS Display
- High and Low Alarm with Relay
- Temperature Display in °C or F°
- 4 – 20 mA Recorder Output (Standard)
- Flow Switch Compatible
- Backlit LCD Alpha / Numeric Display

### Feed Modes

#### Feed Limit (Feed and Bleed)

1-999 minutes

#### Percentage of Time (reset)

1–100 minute cycle

1–100% on-time

#### Percentage of Control (Feed after Bleed)

1–100% of previous bleed cycle

1-999 minute limit

#### External Trigger (pulse)

1–999 seconds on-time

1–100 counter



8 Post Office Square  
Acton, MA 01720 USA  
TEL: (978) 263-9800  
FAX: (978) 264-9172  
<http://www.lmipumps.com>



---

---

## Enclosure

### NEMA 12X Type (prewired version)

Hard wiring makes the unit suitable for NEMA 4X applications.

### Material (housing)

Flame retardant, molded TPE

### Material (cover)

Clear molded polycarbonate, padlockable

### Environment

32° F to 122° F (0° C to 50° C)

0 to 95% (non-condensing) relative humidity

---

---

## Hardware

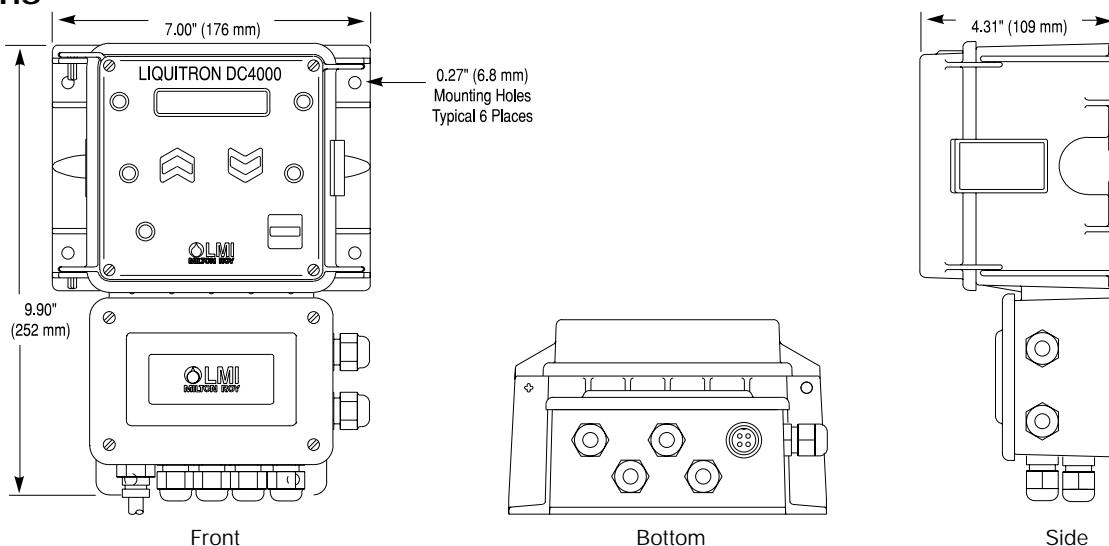
115 VAC, 50/60 Hz units provided with a 6 ft (2 m) grounded power cord and plug, and two (2) 1 ft (30 cm) output power cords with grounded receptacles for controlled devices.

230 VAC, 50/60 Hz units provided with 6 ft (2 m) grounded power cord and plug, and throughput connectors for hardwire connection of controlled devices.

---

---

## Dimensions



## Electrical

### Input

115 VAC, 50/60 Hz or  
230 VAC, 50/60 Hz

### Control Output

Two (2) relays, 10 Amp @ 115 VAC, 5A @ 230 VAC  
Unit fused for 10 Amp total load.

### Signal Input

Two (2) PG-9 throughput connectors are provided for connection of flow meter and flow switch. A 4-pin microphone jack is provided for conductivity probe.

### Signal Output

4–20 mA spannable output for conductivity.

---

---

## Operational

### Display

16 Character backlit LCD

### Conductivity Scale

0–10,000  $\mu\text{S}$  or 0–6600 PPM/TDS, selectable

### LED Indicators

Power, control, alarm, no flow and feed

### Differential (hysteresis)

Keypad adjustable

### Feed Timers (selectable)

Pulse:	1–999 seconds run-time, 1–100 counts
% of Time:	1–100 minute cycle, 1–100% on-time
Limit:	1–999 minute run time
% of Bleed:	1–100% of previous bleed 1–999 minute limit

### Set Point

Rising or falling (selectable)

### Boiler Timer

Interval:	1–999 minutes
Duration:	1–999 seconds
Trap Time:	1–999 seconds

---

---